

Rear Strut Mounts Replacement

I hear a **clunking noise** from the rear-left part of the car when I hit a hole or when the road is uneven, what could it be?

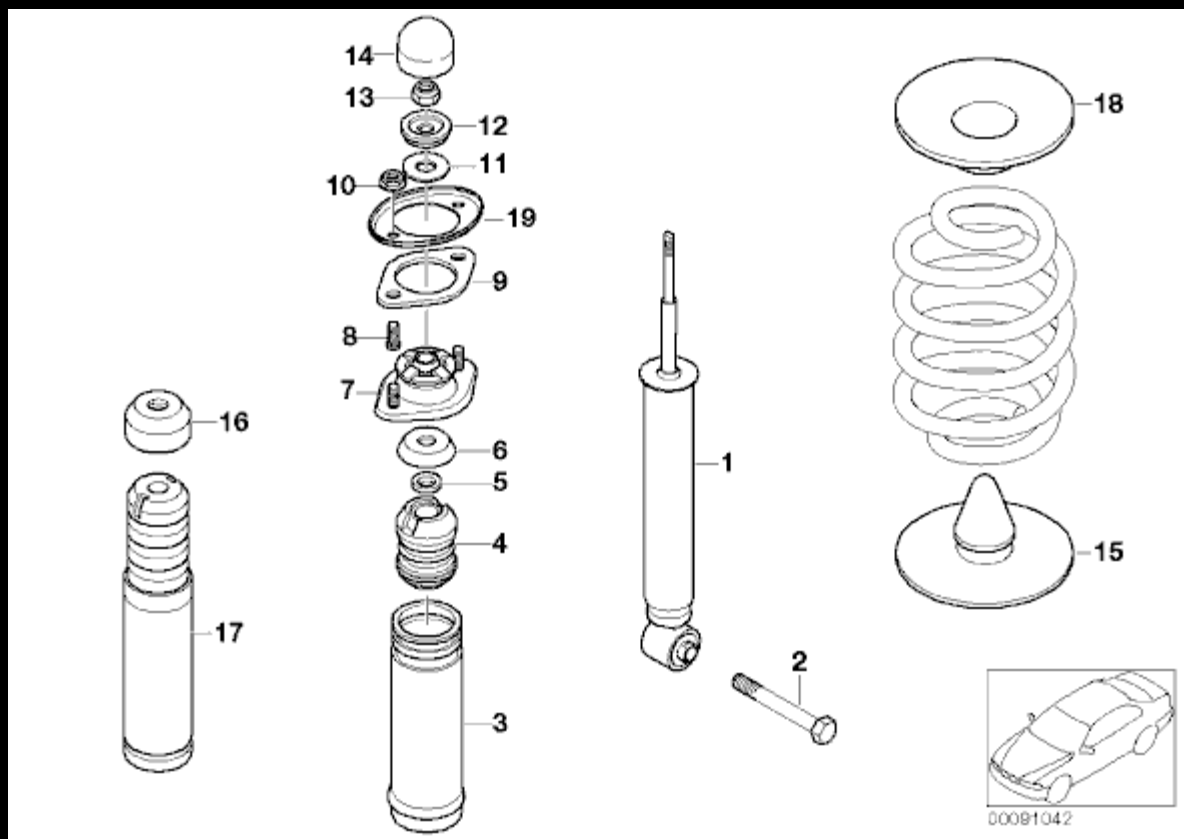
I checked:

Rear subframe: OK
 All springs: OK
 Shocks: Not leaking or bouncing
 Rear bushes SEEM OK

I had a look at the rear shock mounts and the rear-left one seems like it's wearing a bit.

Tried to tight them but they were already very tight.

A quick search around the forums revealed the part responsible for another DIY. Item #7



No.	Description	Supplement Qty	From	Up To	Part Number	Price	Notes
01	SHOCK ABSORBER, REAR	2		09/2001	33521096366	\$121.64	
01	SHOCK ABSORBER, REAR	2		09/2001	33521095913	\$120.53	
02	HEX BOLT	2	M12X1,5X60		07119900402	\$1.23	
03	PROTECTION TUBE	2			33521136283	\$4.40	
04	ADDITIONAL SHOCK ABSORBER, REAR	2		09/2001	33531138109	\$20.09	
04	ADDITIONAL SHOCK ABSORBER, REAR	2	09/2001		33506757047	\$14.17	
	ADDITIONAL SHOCK						

04	ABSORBER, REAR		2	09/2001 33531136395	\$16.63
05	SPACER RING	10X16	2	33521091634	\$0.10
06	PLATE		2	33526762325	
07	GUIDE SUPPORT		2	33521092362	\$25.95
09	WASHER-GASKET		2	33526772864	\$0.50
10	SELF-LOCKING COLLAR NUT	M8-8-ZNS	2	31331092887	\$0.56
10	SELF-LOCKING COLLAR NUT	M8-8-ZNS3	2	07119904295	\$0.30
12	PLATE		2	33526751403	\$2.23
13	SELF-LOCKING HEX NUT	M10X1-8	2	33521137360	\$0.56
15	SPRING PAD LOWER		2	33531094518	\$5.86
18	SPRING PAD	5MM	2	33531136385	\$9.71

Installation:

-- Coming soon --